



Q·8

DualSource Strobe / Flood / Pixel / Blinder



Description

The Q-8 combines the compact size and low power consumption of the Q-7, the advanced industrial design of the Q-10, and the powerful strobe-blinder of the G-7 BeaSt in 2 separated arrays. This high color quality DualSource luminaire features RGBW mixing, pixel-mapping control, 110° and 75° spread angles, and all the benefits of magnetic easy-fit filter frames. It is a waterproof key or fill light for on location filming, a strobe effect for touring, and a direct view fixture in a lightweight and robust design: the Q-8 the definitive mid-size flood/blinder.

Features and benefits

- ✓ IP66-rated 110° / 75° DualSource LED luminaire with >53,000 lumens
- ✓ High CRI and high TLCI (above 90) with RGBW mixing
- ✓ CTC linear control from 2,000K to 10,000K
- ✓ User friendly display, wireless control, and integrated handle
- ✓ RGBW mixing and 2 linear White LED blinders with 8 individually controllable segments
- ✓ High-quality dimming performance with color filter emulation / SGM Versapath ready
- ✓ Magnetic easy-fit holographic filter frames

Certifications & classifications

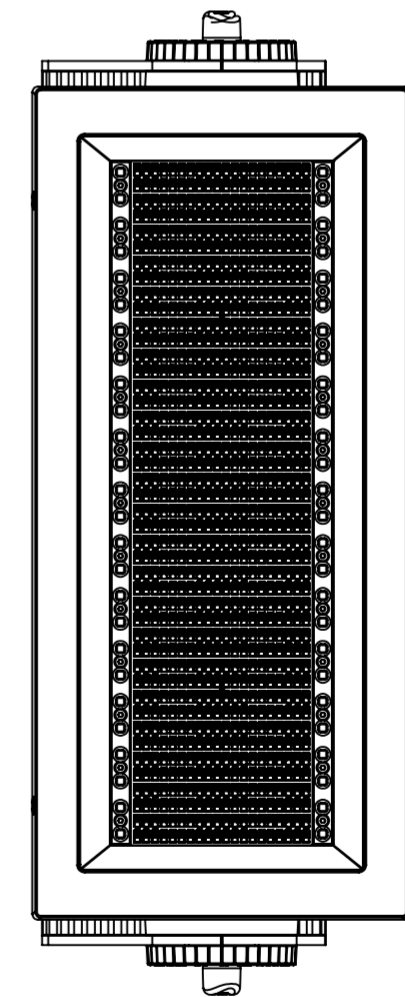
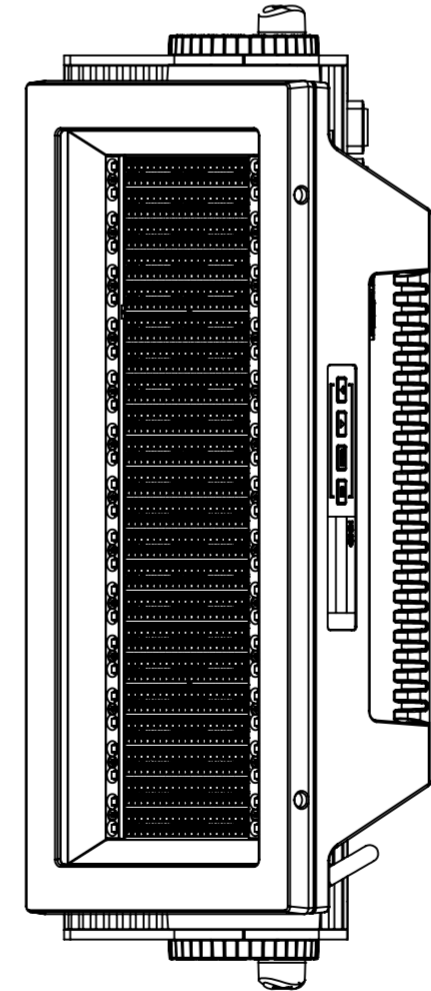
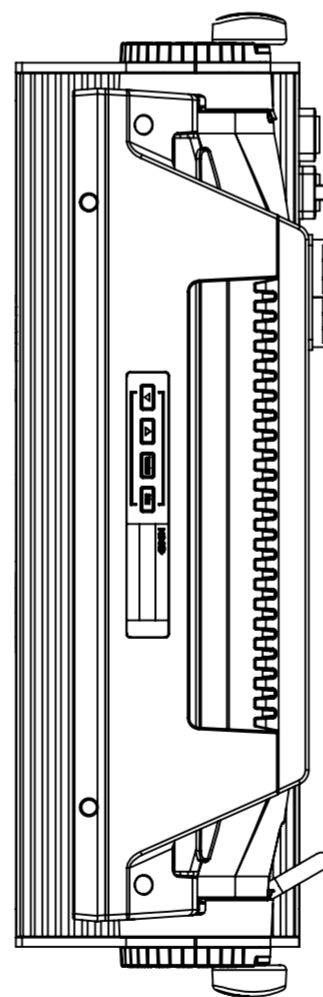
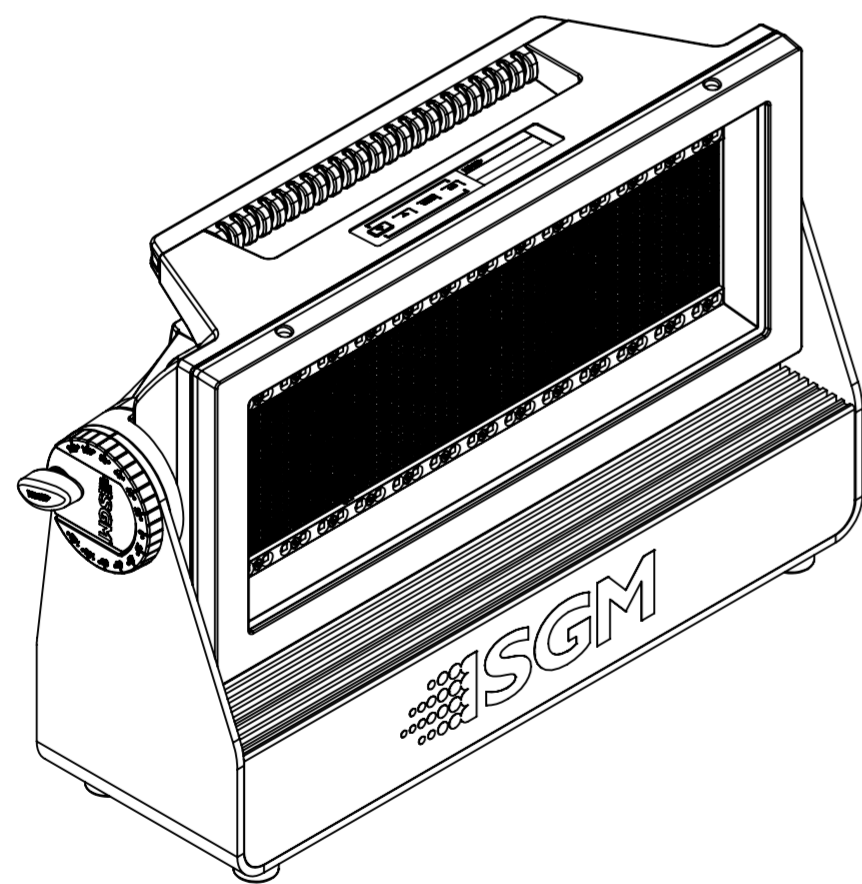
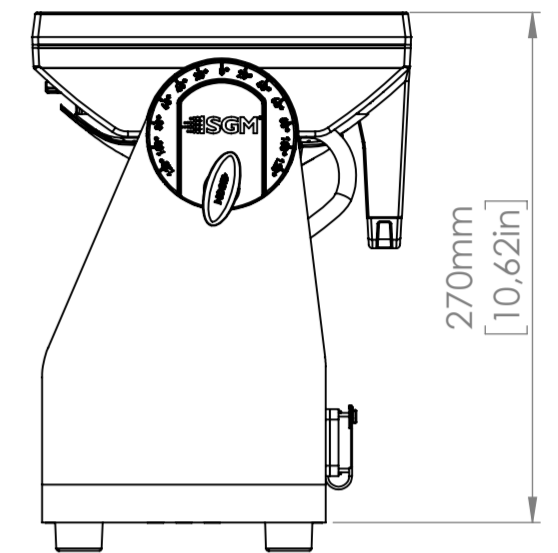
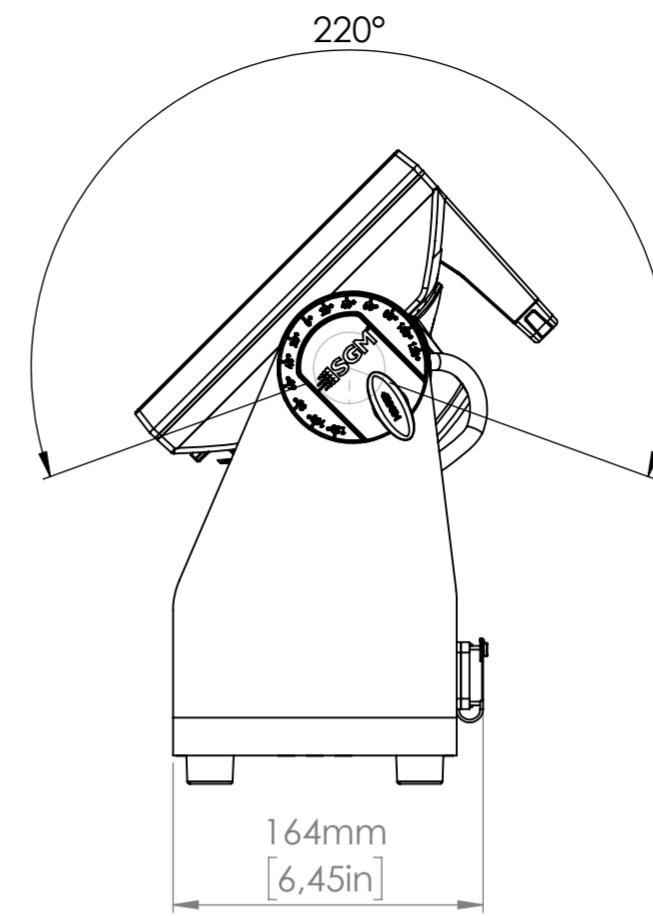
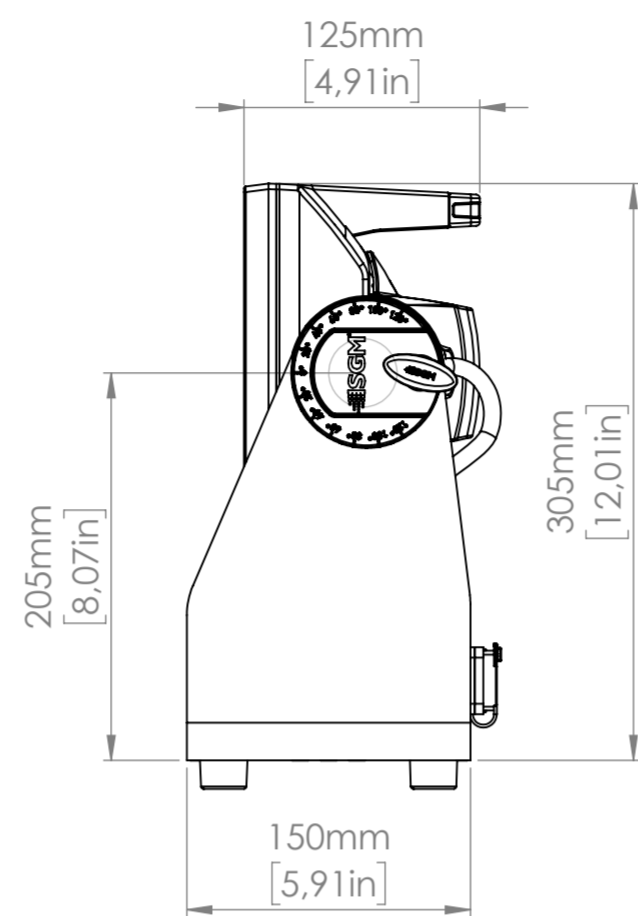
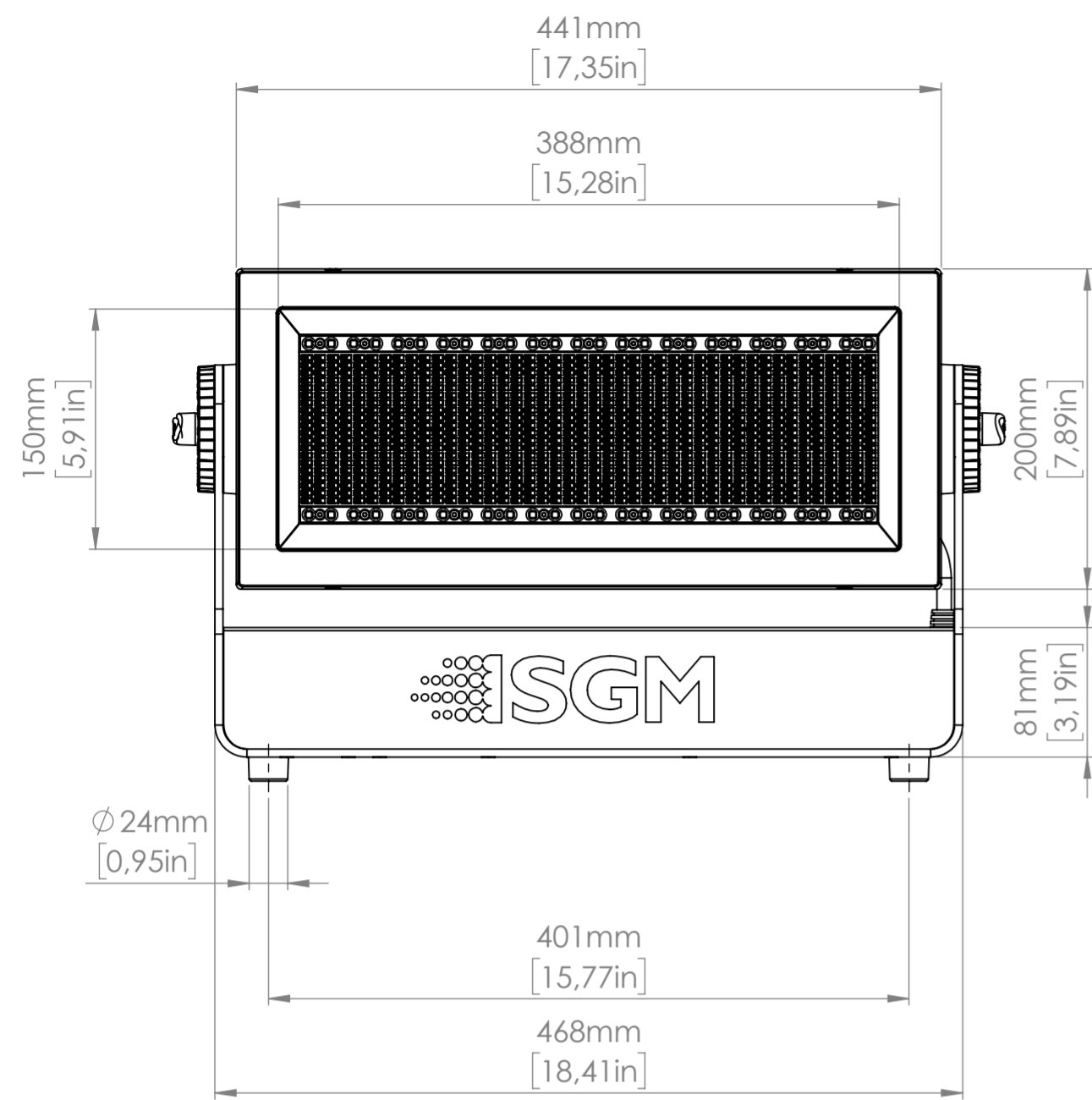
IP66

RoHS

CE




REVISIONS				
REV.	DESCRIPTION	ECO	DATE	CHANGED BY



Tolerances according to ISO 2768-1: M

Nominal size	Permissible deviations
0.5	±0.1
up to 3	
over 3	±0.1
up to 6	
over 6	±0.2
up to 30	
over 30	±0.3
up to 120	
over 120	±0.5
up to 400	
over 400	±0.8
up to 1000	
over 1000	±1.2

DEBUR AND BREAK SHARP EDGES		DO NOT SCALE DRAWING	
		All Dimensions are in mm	
NAME	DATE	TITLE:	
Created By	6. marts 2018 13:27:36	Q-8 Flood Strobe, Std, BL	
Last saved By	bar 18. marts 2021 16:21:34		
FINISH:		DWG NO.	
MATERIAL:		80031750-	
Material <not specified>		A_Service	
WEIGHT: 13369.95		SCALE:1:5	



PAPER SIZE:
A2

Specification

Optical Data	LED expected lifetime	20,000 hours (Strobe blinders) 50,000 hours (RGBW panel)
	Lightsource	880 x RGB LEDs, 880 x W LEDs (5,700K), 52 x W LEDs (7,000K)
	Native lens options	110°
	Optional filters	Extra medium angle soft diffusion, Q, external Extra wide angle soft diffusion, Q, external Elliptical horizontal effect, Q, external Elliptical vertical effect, Q, external
Photometric	Average CQS (CTC)	92
	Average CRI (CTC)	90
	Average RF / TM-30-15 (CTC)	89
	Average TLCI (CTC)	90
	Color temperature	7000K (Strobe blinders) 5700K (RGBW panel, calibrated)
	Efficacy	112 lm/W
	Light output all LEDs on	53849 lm
	Light output blue	1644 lm
	Light output green	8660 lm
	Light output red	4162 lm
	Lumen per kilogram	3989 lm / Kg
	Lux @ 10m	346 lux
	Lux @ 5m	1386 lux
	Max. CRI @ 5600K	96
	Max. TLCI @ 5600K	95
	Maximum beam angle	107 °
	Native beam angle(s)	107° (panel with 110° lens) 75° (Strobe blinders)
Native field angle(s)	140° (panel with 110° lens) 119° (strobe blinders)	
Physical	Color options	Black - RAL 9004 Custom color - Any RAL White - RAL 9010
	Effective Projected Area	2.15 Square ft
	IK rating	IK06
	IP class	IP66
	Lens material	Tempered glass front
	Material	Aluminium PC/ASA

		Rubber Steel
	Net dimensions inches	20.5 x 12.6 x 6.5 inches
	Net weight	13.5 kg (29.8 lbs)
Features	Addressable pixels	4 (Panel) + 4 (Strobe Blinders)
	Color calibration	SGM proprietary, full color calibration
	Dehumidifier	Head
	Dimming	12 DMX-controllable curves (smooth fade in / fast response / low-end extended range)
	Emulation mode / effect	Tungsten response emulation Color Filter Emulation
	Filters	Magnetic easy-fit spread angle filter frames
	LED panel	8 individually controllable segments
	Other	Studio DMX mode(s) Versapath color engine Independent control of Panel and Strobe Blinders LED frequency control over DMX + High Speed mode (up to 2000 fps)
	Strobe	Ultra-high-speed strobe effects Dualsource Strobe Blinder Dual color RGBW strobe Intensity, Duration, Rate and FX control channels per lightsource (3) Pixel strobe feature (up to 8 segments)
	Tilt	220°
	Tilt locking system	Locking system with angle indicator
	View angle	110°
Electrical	Electrical protection	Overload protection with automatic recover
	Input voltage, absolute max. rating	100 - 305 VAC; 50 / 60 Hz
	Input voltage, nominal	115 - 277 VAC; 50 / 60 Hz
	Max inrush current 230VAC	70 A
	Max power consumption	630 W
	Max power thru @ 100 V	13 A
	Max power thru @ 230 V	13 A
	Power factor	0.96 PF (230 V)
	Power Supply Unit	Inbuilt IP 67 Auto-ranging electronic switch-mode
	Standby power consumption	8 W
Programming and Control	16-bit control	Dimmer, Red, Green, Blue, White, pixels

	Cabled DMX	5 pin XLR input/output
	DMX channels	10, 12, 27, 34, 36, 41, 52
	DMX modes	8
	Protocol	CRMX, W-DMX™ G2, W-DMX™ G3, W-DMX™ G4, W-DMX™ G4S USITT DMX512A RDM ANSI E1.20
	Setting and addressing	OLED graphical display / 4 buttons RDM ANSI E1.20
	Standalone mode	Quick Color 3 programs with up to 24 scenes
	Wireless DMX	Lumen Radio with RDM
Connections	DMX data in/out	IP67 XLR 5-pin connector, Female IP67 XLR 5-pin connector, Male
	Power	Power input connector & link-thru
Installation	Mounting point	3 x two quarter-turn locking points for two or three Omega Brackets
	Orientation	Any
	Rigging possibilities	Hanging (Omega Bracket included) or ceiling/wall mount (optional)
	Safety features	Bottom mount for safety wire Minimum distance to combustible materials: 0.3 meter (11 in).
Thermal	Cooling	Active, Forced Air, Temperature-regulated
	Humidity (max.)	98 %
	Thermal protection	Automatic overtemperature protection
	Total heat dissipation, max power	2149.6 BTU per hour
	Total heat dissipation, standby	27.3 BTU per hour
Included items	Included items	2 Omega bracket with quarter-turn fasteners 2 m IP66 power cable pigtail Safety instructions and installation quick guide
Conforms To	CE - 2014/30/EU: EMC Directive	EN 55103-2 EN 55015 EN 61547 EN 61000-3-2 EN 61000-3-3 EN 55032
	CE - 2014/35/EU: Low Voltage Directive	EN 60598-1 EN 60598-2-17 EN 62471

RoHS2 Directive
UL

EN 60529
2011/65/EU
UL Std. 1573

Certified To

CSA

CSA Std. C22.2 No. 166

Ordering information

Qty	Product name	Item number
<input type="checkbox"/>	Q-8 Flood Strobe, Std, BL	80031750
<input type="checkbox"/>		
	Accessories	Item number
<input type="checkbox"/>	Omega Bracket with 1/4-turn fasteners	83060602
<input type="checkbox"/>	Power cable with IP connector	07860275
<input type="checkbox"/>	SGM USB uploader cable	83062011
<input type="checkbox"/>	Vacuum Test Kit	83061136
<input type="checkbox"/>	A-4	80070217
<input type="checkbox"/>	4-way Barndoors for P-6 / Q-8 / I-6	83061173
<input type="checkbox"/>	Filter frame for P-6/Q-8 - medium angle	83061170
<input type="checkbox"/>	Filter frame for P-6/Q-8 - wide angle	83061171
<input type="checkbox"/>	Filter frame for P-6/Q-8 - elliptical horizontal wide angle	83061168
<input type="checkbox"/>	Filter frame for P-6/Q-8 - elliptical vertical wide angle	83061169
<input type="checkbox"/>	8-way Barndoors for P-6 / Q-8	83061186
<input type="checkbox"/>	RDM Addressing Tool	
<input type="checkbox"/>	Flight Case for 4 pcs of P-6/Q-8 incl. accessories	82051509
<input type="checkbox"/>	Spigot adapter for omega bracket	83060639
<input type="checkbox"/>	DoPchoice Snapbag for Q-8 / P-6	83061189
<input type="checkbox"/>	DoPchoice Snapgrid for Q-8 / P-6	83061190
<input type="checkbox"/>	Filter Frame Extender, P-6 / Q-8	83061191
<input type="checkbox"/>		



Headquarter +45 70 20 74 00

Mail info@sgmlight.com

Website sgmlight.com