



Say hello to our next-generation multi-purpose light. In addition to being a battery-powered uplight and PAR with 5 different beam options, multiple PixelBricks can be connected to form clusters and shapes. With about 10cm edge length and 1kg weight, it is small and lightweight while still featuring a powerful output of high-quality light. The PixelBrick can be used for many stage, film and TV applications.



Max 20h



Wireless DMX



IP65



App

## SPECIFICATIONS

	PixelBrick
Order Code	PB15
LED Engine	Titan LED Engine
Colors	RGBMintAmber
Total LED Power	15 W
LED Power Draw	12 W
Luminous Flux 2700K	405 Lumens
Luminous Flux 3200K	475 Lumens
Luminous Flux 5500K	395 Lumens
Light Output 2700 K @ 1m	6 178 Lux
Light Output 3200 K @ 1m	7 144 Lux
Light Output 5500 K @ 1m	5 985 Lux
CRI (Ra)/ TLCI 3200- 6500 K*	≥96
Beam Angle	13°
Field Angle	25°
Strobe	0 - 25 Hertz
Pixels	1
Battery Runtime	up to 20 hours
Battery Lifetime	70 % after 300 cycles
DC Input	24 VDC - 0.8 A
DC Connector	5.5 mm x 2.1 mm
AC Input	No
AC Connector	No
Power Consumption (max.)	20 W
Wired DMX	Yes via PWB-2-86 (FP1-PWB / FP3-DTL)
CRMX Receiver	Built-in
BluetoothBridge BTB	Built-in
Wireless Protocols	CRMX, UHF, Bluetooth, WiFi
Wireless Range	CRMX/UHF up to 300 m / 330 yds Bluetooth up to 3 m / 3.3 yds
Infrared Control	Yes
Housing Material	Aluminium
IP Rating unwired	IP65 (only with PB15-PLG)

IP Rating wired with PWB-CAB-0.2/-1.5/-5/-10/-15	IP65
Ambient Operating Temperature	0 - 40 °C / 32 - 104 °F
Weight	1.12 kg / 2.47 lbs
Dimensions L x W x D	91 mm x 91 mm x 94 mm / 3.6" x 3.6" x 3.7"
Mounting Options	4x Airline Tracks, 4x M5 threads, BrickBracket

\*Typical value

## RF CHARACTERISTICS

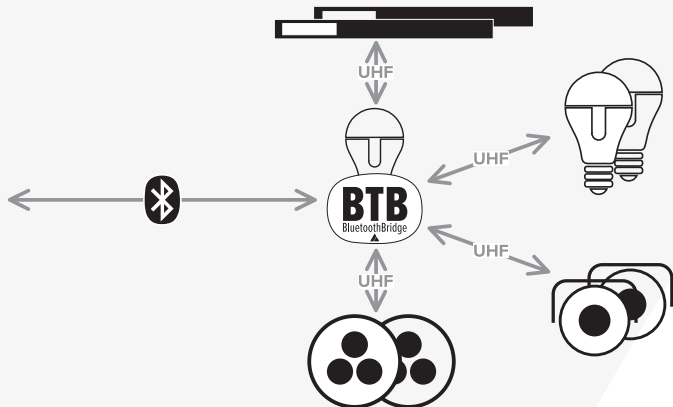
Wireless Modules	EU: UHF*** (863-870MHz)	USA: UHF (917-922.20MHz)	AUS: UHF (922.30-927.50MHz)	SGP: UHF (920.50-924.50MHz)	KOR: UHF (917.9-921.5MHz)
Modulation	FHSS	FHSS	FHSS	FHSS	FHSS
ERP (Transmitter)	<25mW	<25mW	<25mW	<25mW	<25mW
Channel Count	47	53	53	41	10

Wireless Modules	RUS: UHF (868.75-869.12MHz)	JPN: UHF (922.80-926.40MHz)	CRMX (2402-2480MHz)	Bluetooth 5.0 LE (2402-2480MHz)	WiFi (2412-2472MHz)
Modulation	FHSS	FHSS	FHSS	FHSS	DSSS, OFDM
ERP (Transmitter)	<25mW	<25mW	-	10mW (BLE)	<100mW
Channel Count	6	19	79	40	13

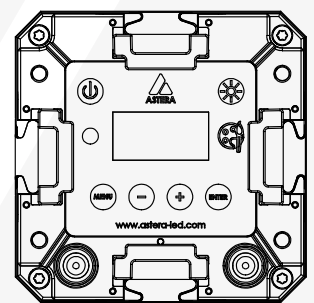
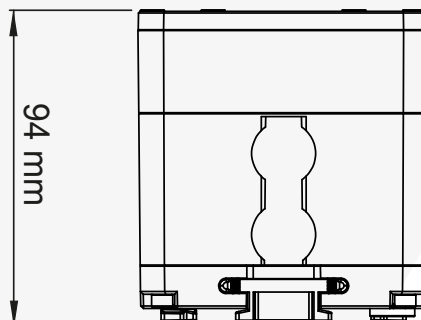
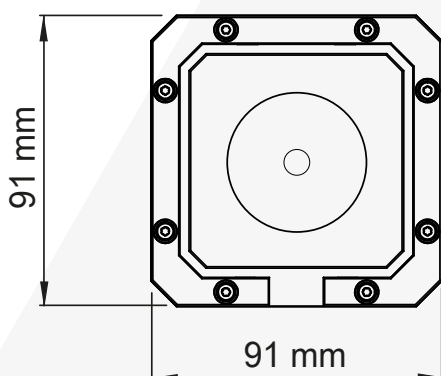
\*\*\*General allocation of frequencies for use by short-range radio applications

## PixelBrick as BluetoothBridge

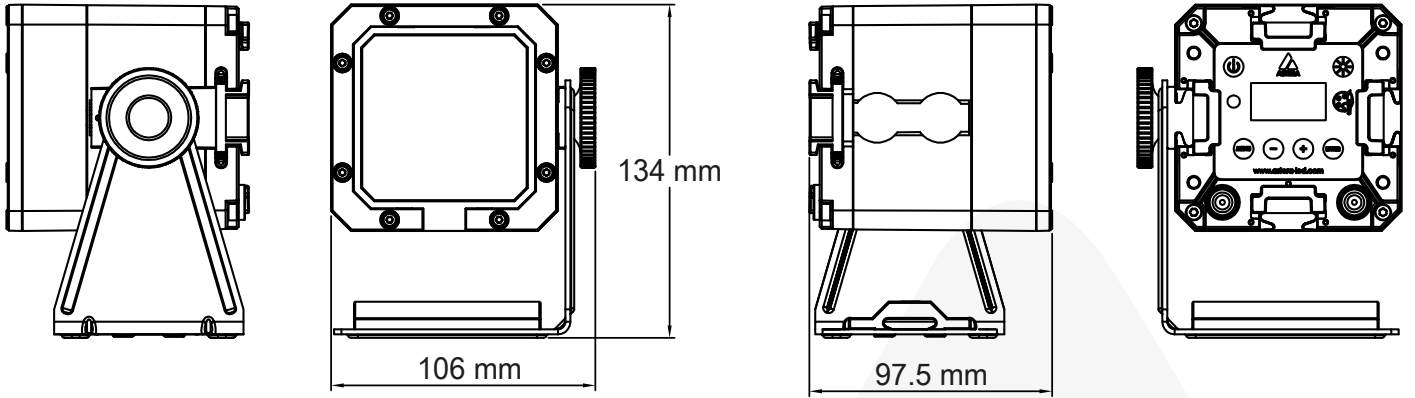
Connect directly to selected Astera lights via Bluetooth. This master light will revert AsteraApp commands to itself and other Astera lights via UHF band. Works as well with the AsteraBox.



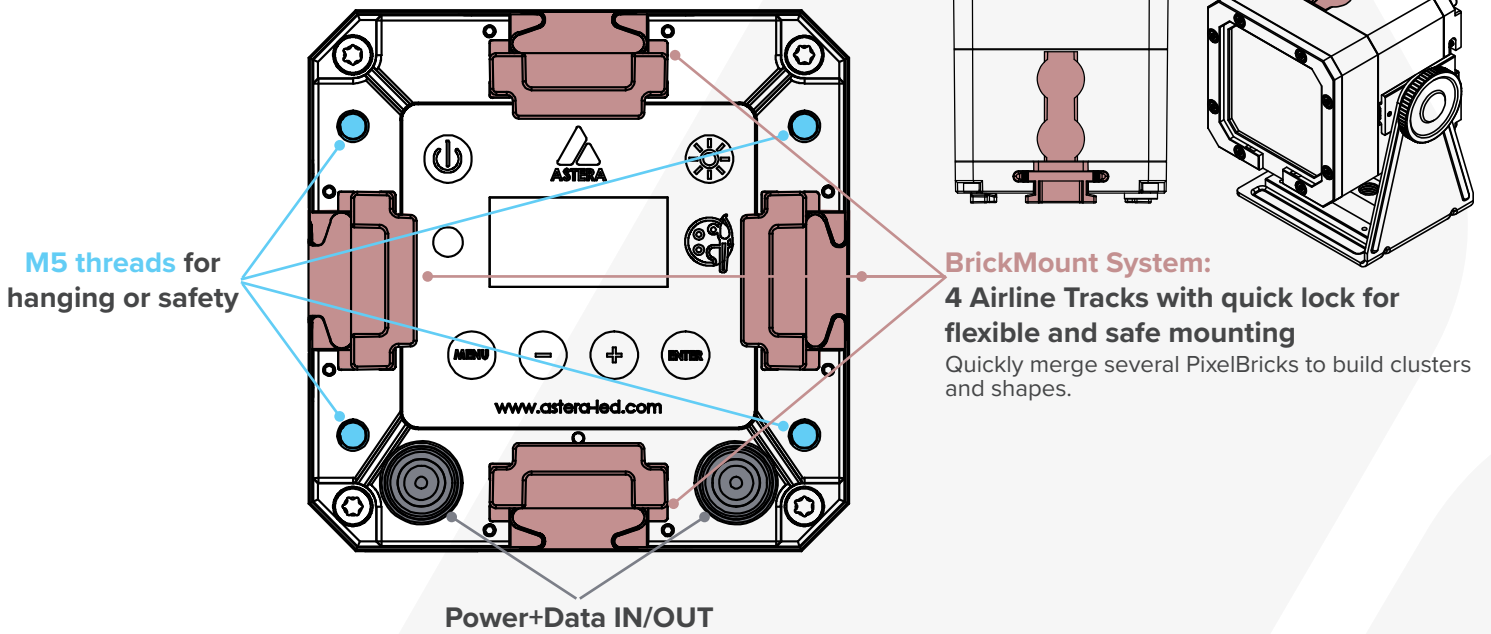
## DRAWINGS WITHOUT BRACKET



## WITH BRACKET



## SOCKETS, AIRLINE TRACK, THREADS

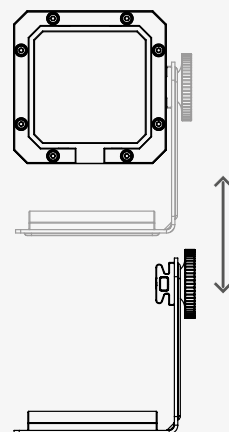


## ACCESSORIES

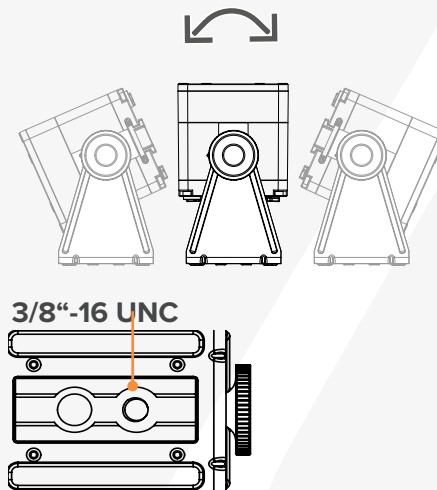
### BrickBracket PB15-BBR



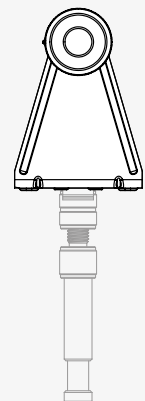
### Removeable



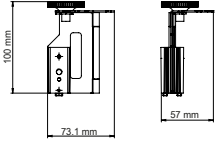
### Tiltable



### AirlineTrack on bottom for mounting



**BrickHinge**  
PB15-BHI

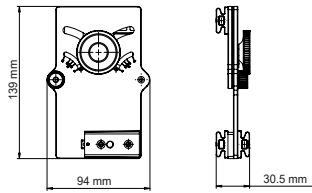


Weight: 220g / 0.48lbs

**BrickHinge on PixelBrick to create several shapes**



**BrickTilt**  
PB15-BTLT



Weight: 270g / 0.59lbs

**BrickTilt on PixelBrick**

**Tilt the angle of the PixelBrick outward or inward**

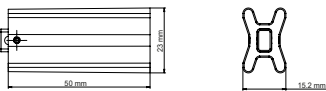
**Build creative shapes**



**BrickConnect**  
PB15-BCN

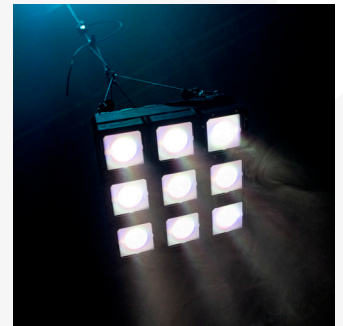
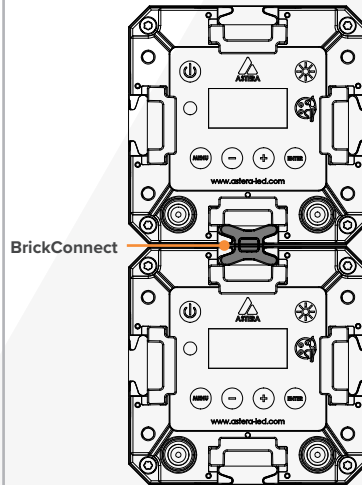


included

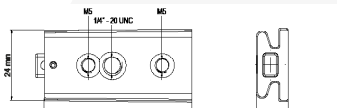
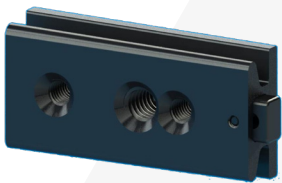


Weight (1pc): 27g / 0.059lbs

**Connect your PixelBricks to several shapes**

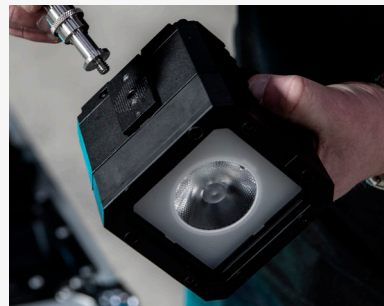


**BrickMount**  
PB15-BMO

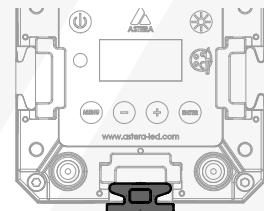


Weight (1pc): 25g / 0.55 lbs

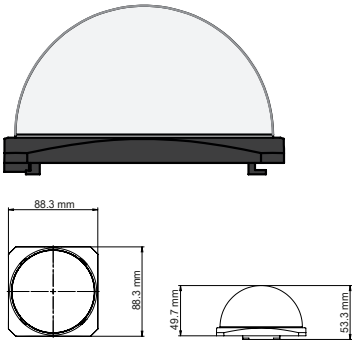
**BrickMount on PixelBrick**



**Mounted on plate**



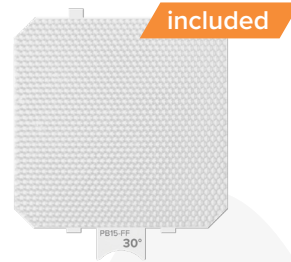
**BrickDome**  
PB15-BDM



**BrickDome on PixelBrick**



**Filters**



**FloodFilter 30°**  
PB15-FF



**BeamSoftener 17°**  
PB15-BSO

**TrackPin**  
AX-TP



**EyeBolt**  
FP1-EBLT



**Power/Data Cable**  
5m, 10m, 15m  
PWB-CAB-5-/10-/15



**Power/Data Cable**  
0,2m  
PWB-CAB-0.2



**ChargingCase**  
PB15-CHRCSE



Weight (empty) 6.8 kg / 15 lbs  
Weight (full): 16.3 kg / 36 lbs

Dimensions:  
541.5 mm x 400 mm x 205.5 mm /  
21.3" x 17.44" x 8.1"

**AccessoryCase**  
PB15-ACCSE

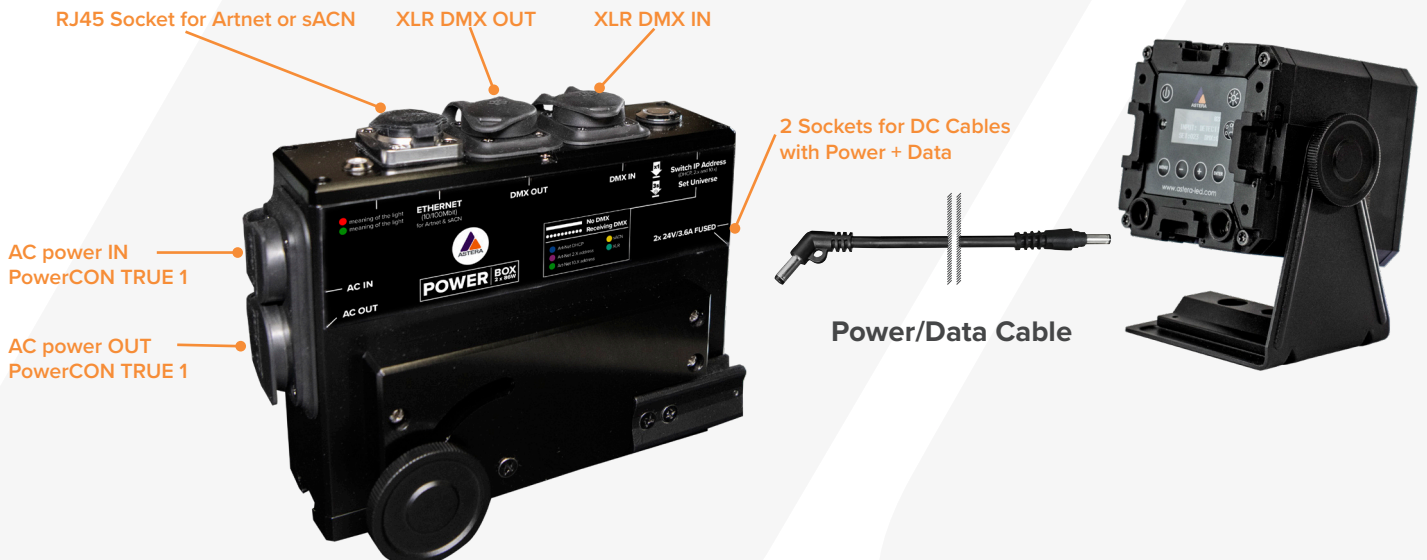


Weight (empty): 7kg / 15.4lbs  
Weight (full): 13.3kg / 29.3lbs

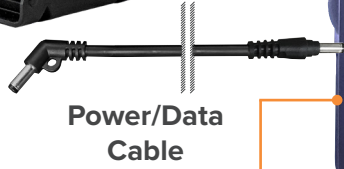
Dimensions:  
541.5 mm x 400 mm x 205.5 mm /  
21.3" x 17.44" x 8.1"

# CHARGING & CONNECTING

With PowerBox 2x86 (PWB-2-86)



## With Titan PowerBox (FP1-PWB)

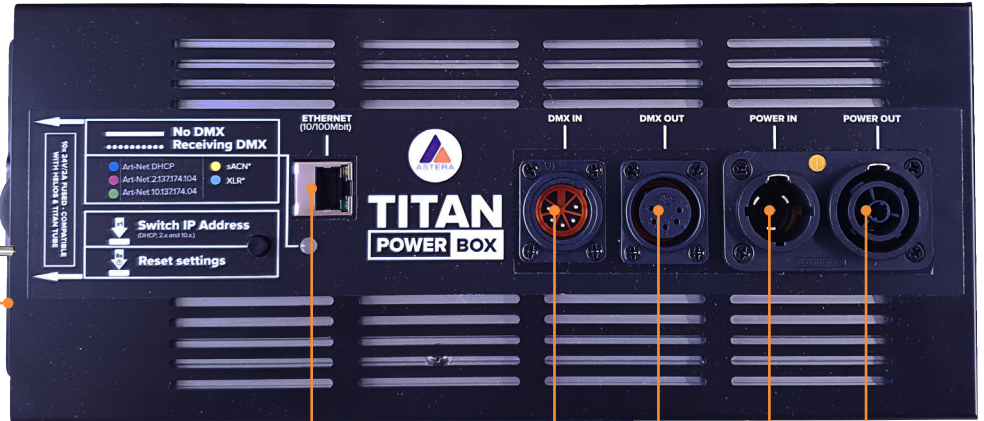


Power/Data Cable

10 Sockets for DC Cables with Power + Data



RJ45 Socket for Artnet or sACN



XLR DMX IN

XLR DMX OUT

AC power IN

AC power OUT

## TYPICAL SPECTRAS

