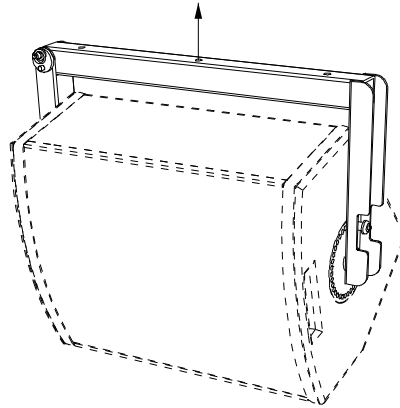




DECLARATION OF CE CONFORMITY

For the product:

Catalog Item: ETRI I12XT
Description: L-ACOUSTICS® ETRI I12XT
Rigging accessory
Dimensions: 630 mm x 320 mm x 54 mm
Material: Steel



Product Origin

Country of origin of the product: France
Country of origin for components of the product: EEC

Technical Specifications :

The ETRI I12XT rigging accessory is intended for overhead suspension (horizontal or vertical orientation) of I12XT or I12P loudspeakers. The following chart indicates the safety factor when using the ETRI I12XT rigging accessory according to the conditions described in the L-ACOUSTICS XT LINE OPERATOR MANUAL or

L-ACOUSTICS P SERIES OPERATOR MANUAL:

	ETRI I12XT
Weight	5.25 Kg / 11.6 lbm
WLL	56.5 daN / 127 lbf
Ultimate Strength	> 12
Safety Factor	

Standards conformity

The ETRI I12XT is designed for the suspension of one I12XT or I12P loudspeaker enclosures only. The ETRI I12XT can be attached to an appropriate support using 1, 2 or all 3 of the 11 mm diameter holes on the main bracket, refer to the appropriate operator manual for detailed mounting instructions.

L-ACOUSTICS hereby declares that the ETRI I12XT conforms to :

8. The Machinery Directive 98/37/CE, Part 4 : Lifting Accessories

Established at Marcoussis, France, on the 4th of May, 2006

Jacques Spillmann, Chief Engineer - Manufacturing